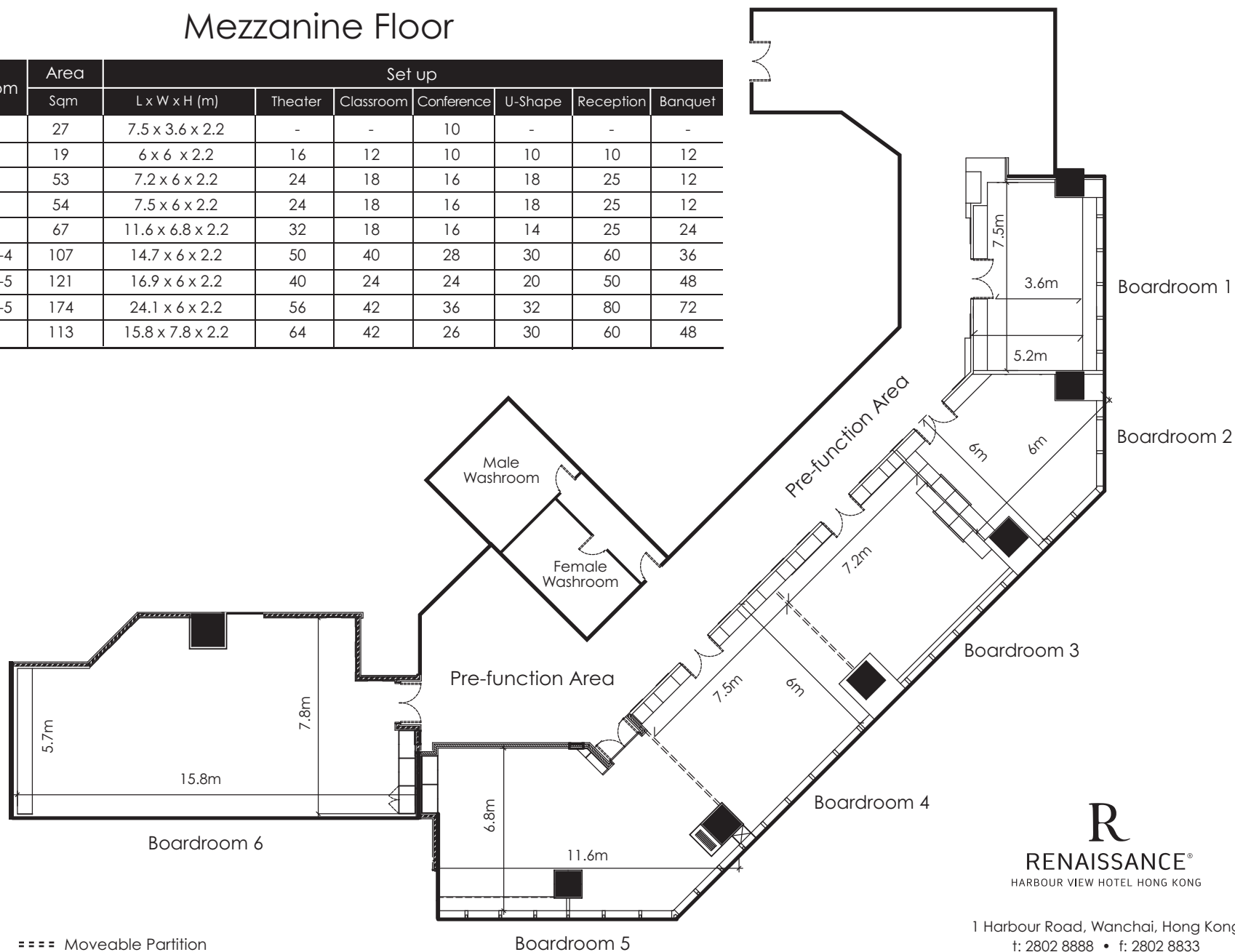


Mezzanine Floor

Meeting Room	Area	Set up						
	Sqm	L x W x H (m)	Theater	Classroom	Conference	U-Shape	Reception	Banquet
Boardroom 1	27	7.5 x 3.6 x 2.2	-	-	10	-	-	-
Boardroom 2	19	6 x 6 x 2.2	16	12	10	10	10	12
Boardroom 3	53	7.2 x 6 x 2.2	24	18	16	18	25	12
Boardroom 4	54	7.5 x 6 x 2.2	24	18	16	18	25	12
Boardroom 5	67	11.6 x 6.8 x 2.2	32	18	16	14	25	24
Boardroom 3-4	107	14.7 x 6 x 2.2	50	40	28	30	60	36
Boardroom 4-5	121	16.9 x 6 x 2.2	40	24	24	20	50	48
Boardroom 3-5	174	24.1 x 6 x 2.2	56	42	36	32	80	72
Boardroom 6	113	15.8 x 7.8 x 2.2	64	42	26	30	60	48



==== Moveable Partition

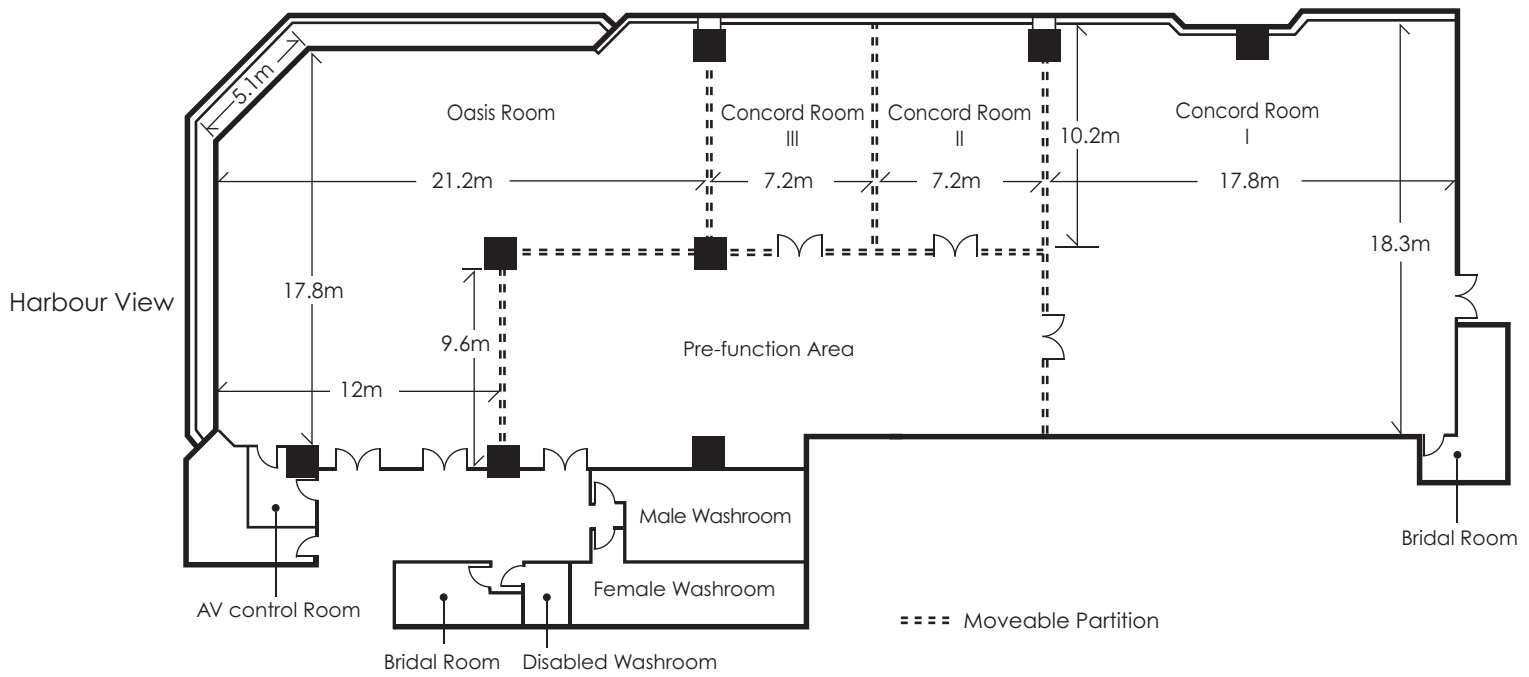
R

RENAISSANCE®
HARBOUR VIEW HOTEL HONG KONG

1 Harbour Road, Wanchai, Hong Kong
t: 2802 8888 • f: 2802 8833
www.renaissanceharbourviewhk.com

8/F Function Rooms

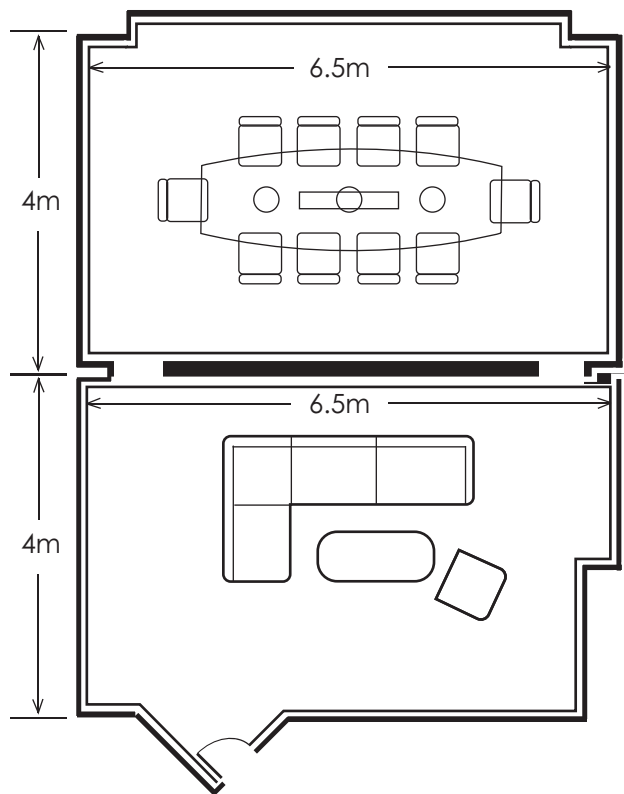
Meeting Room	Area	Set up						
	Sqm	L x W x H (m)	Theater	Classroom	Conference	U-Shape	Reception	Banquet
Concord Room	669	41.4 x 18.3 x 2.5	468	216	100	100	700	408
Pre-function area	196	-	-	-	-	-	-	-
Concord I	327	17.8 x 18.3 x 2.5	234	108	42	42	250	144
Concord II	73	7.2 x 10.2 x 2.5	48	24	20	20	50	36
Concord III	73	7.2 x 10.2 x 2.5	48	24	20	20	50	36
Concord II and III	146	14.4 x 10.2 x 2.5	108	48	38	29	100	72
Oasis Room	296	21.2 x 17.8 x 2.5	72	60	30	26	250	168
Concord Room + Oasis Room	965	53.3 x 17.8 x 2.5	560	270	100	100	950	600



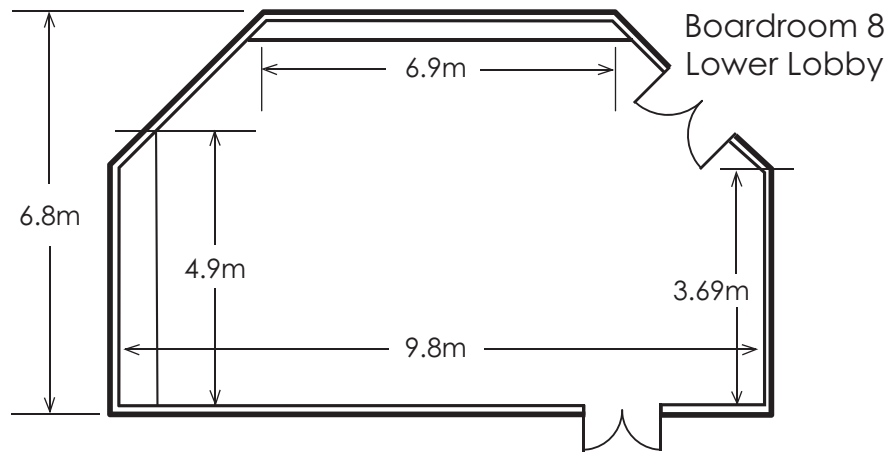
1 Harbour Road, Wanchai, Hong Kong
 t: 2802 8888 • f: 2802 8833
www.renaissanceharbourviewhk.com

Boardroom 7, 8 & 9

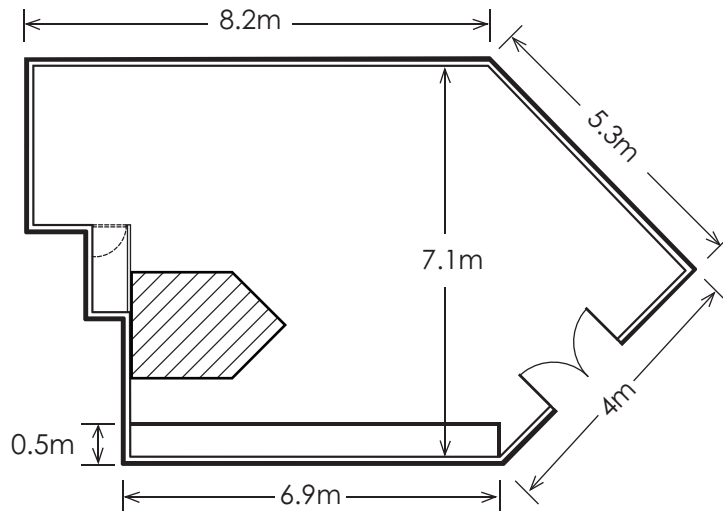
Meeting Room	Area	Set up						
	Sqm	L x W x H (m)	Theater	Classroom	Conference	U-Shape	Reception	Banquet
Boardroom 7	56	6.5 x 8 x 2.3	-	-	10	-	-	-
Boardroom 8	62	9.8 x 6.8 x 4.1	40	24	20	20	40	36
Boardroom 9	60	8.2 x 7.2 x 2.1	30	24	20	15	30	-



Boardroom 7
Business Centre 1st Floor



Boardroom 8
Lower Lobby



Boardroom 9
1st Floor



RENAISSANCE
HARBOUR VIEW HOTEL HONG KONG

1 Harbour Road, Wanchai, Hong Kong
t: 2802 8888 • f: 2802 8833
www.renaissanceharbourviewhk.com